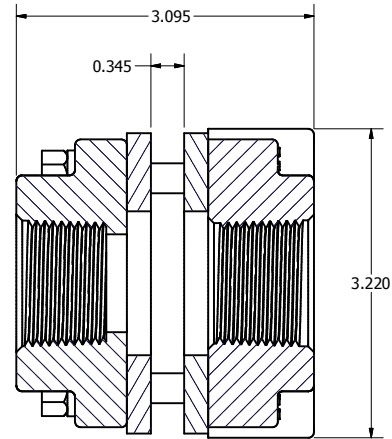
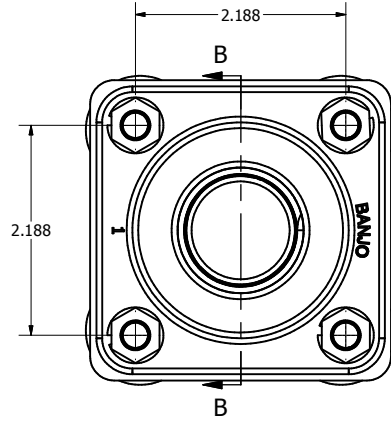
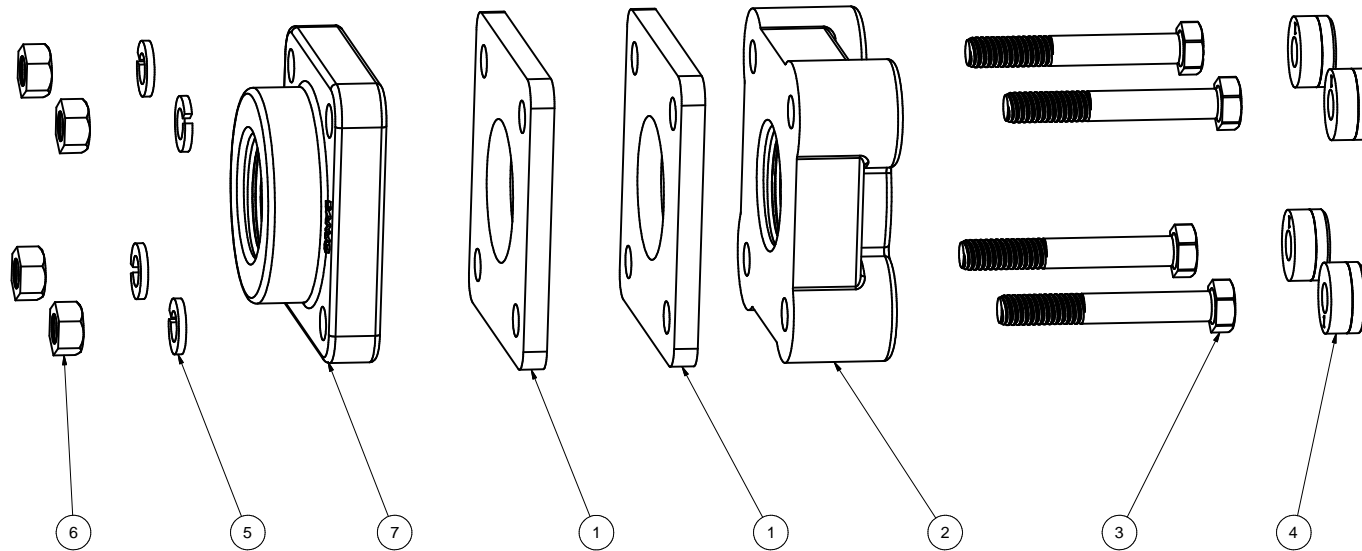


		Parts List	
ITEM	QTY	PART NUMBER	DESCRIPTION
1	2	BF100GE	1" B.F. GASKET
2	1	BF101	BOLTED FLANGE END PLATE
3	4	BF107	5/16-18 X 2 1/4" HHCS
4	4	BF304AT	Bolted Flange Plug Tumbled
5	4	V10118	5/16" LOCKWASHER
6	4	V10119	5/16" HEX NUT
7	1	V10157	1" Full Port Tank Flange
8	1	VL1004	EPDM DECAL (N/S)



SECTION B-B
SCALE 1





BANJO CORPORATION

BANJO CORPORATION
150 BANJO DRIVE, CRAWFORDSVILLE, IN 47933
WEB SITE: WWW.BANJOCORP.COM
E-MAIL: BANJOSALES@IDEXCORP.COM

<p>THIS DRAWING AND ALL INFORMATION CONTAINED THEREON ARE THE EXCLUSIVE PROPERTY OF BANJO CORPORATION.</p> <p>UNLESS SPECIFICALLY NOTED, THIS DRAWING AND ITEMS SHOWN ON THIS DRAWING ARE SUBJECT TO CHANGE AT ANY TIME.</p>	<p>DESCRIPTION</p> <p>1" BLIND HOLE BOLTED TANK FLNG</p> <p>PART NUMBER</p> <p style="text-align: center;">BF100</p>
--	--